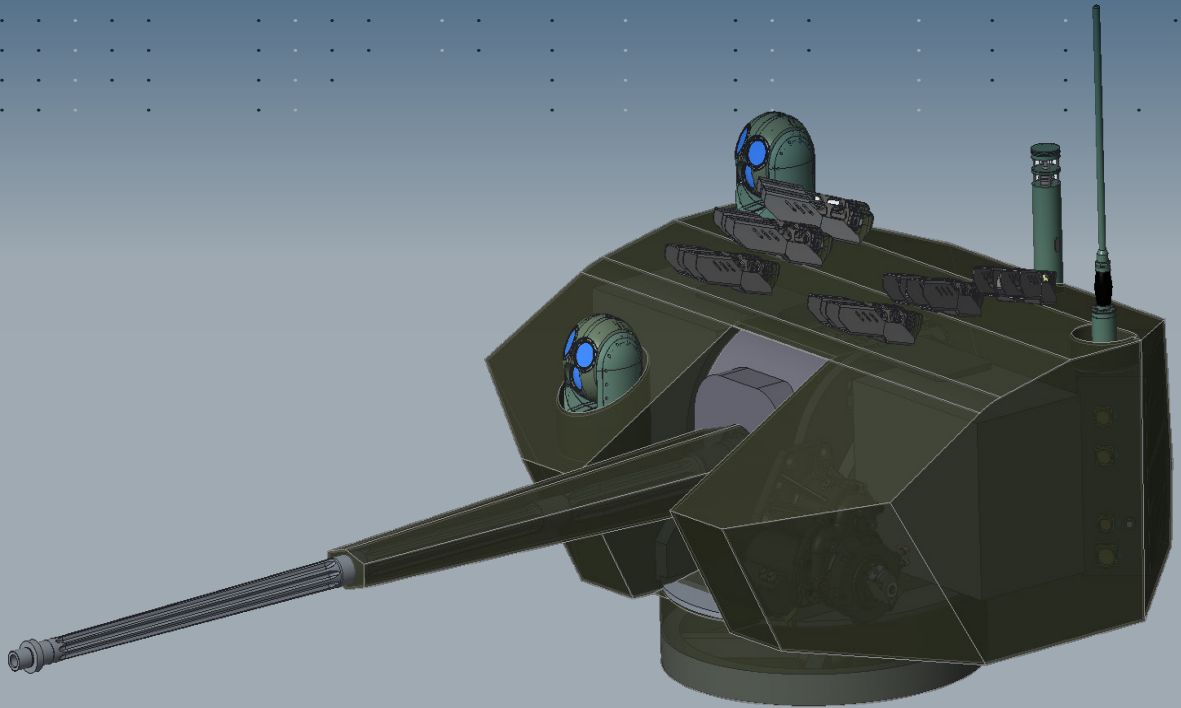


HITFIST® 30 UL



The HITFIST 30 UL is a remote controlled turret equipped with a last generation Fire Control System.

The turret can operate either in Hunter-Killer or in Killer-Killer (firing from panoramic sight) mode through the use of a aiming sight and a panoramic sight both fully stabilized on 2-axis and provided of a day camera, a thermal night camera and a laser range finder.

The turret is managed by 1 or 2 stations (depending on configuration) made up of a display and 2 joysticks that allow the complete control of the turret with both sight systems.

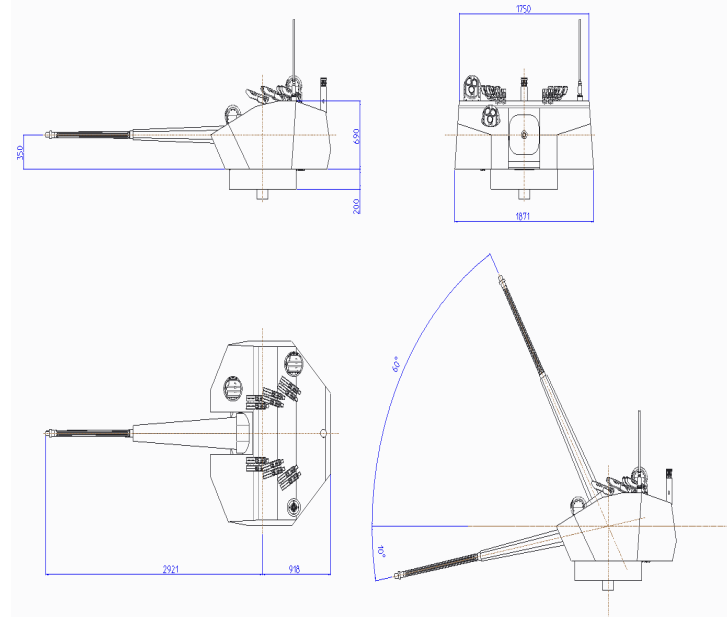
The turret, as main armament, is equipped with a 30mm gun with Air Burst Munitions capability and as secondary armament (optionally) the MG 7.62mm coaxial with the main gun.

It can fire all types of 30 x 173mm Nato Standard ammunitions

The aiming system is fully stabilized in elevation and azimuth by a servo-systems in closed loop with both two independent gyros and two tachometers for redundancy.

KEY FEATURES

- effective against any asymmetric surface threats, helicopters and drones;
- high rate of fire;
- fully stabilized on two independent axes providing great accuracy;
- compact dimensions and light weight;
- high reliability and ease of maintenance;
- innovative and user-friendly Local Control Console;



TECHNICAL SPECIFICATIONS

Caliber	30mm x 173 NATO
Rate of fire	- 200 RPM - Single shot
Ready to fire rounds	>150
Effective range	>3000m
Training range	nX360°
Elevation range	-10° ÷ 60°
Day Camera (1)	13,4 / 6,5 / 3,7 Km D / R / I
IR Camera (1) (2)	11,4 / 7,4 / 3 Km D / R / I
LRF (1)	12 Km

(1): Typical performances achieved with respect to a NATO standard target.
 (2): Valid for cooled sensor, uncooled one is available too.



Local Control Panel

For more information:
 infomarketing@leonardo.com

Electronics Division
 Via Valdilocchi 15
 19136 La Spezia-Italy
 T +39 0187 5811
 F +39 0586 854060

This publication is issued to provide outline information only and is supplied without liability for errors or omissions.
 No part of it may be reproduced or used unless authorised in writing.
 We reserve the right to modify or revise all or part of this document without notice.

2023 © Leonardo S.p.A.

EL_00001 03-23